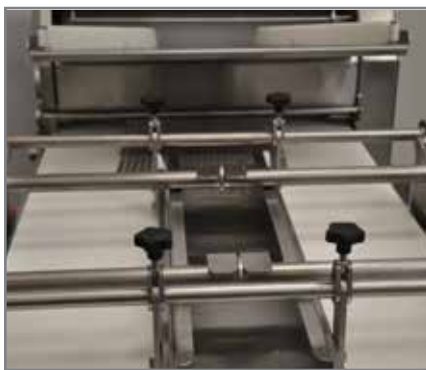


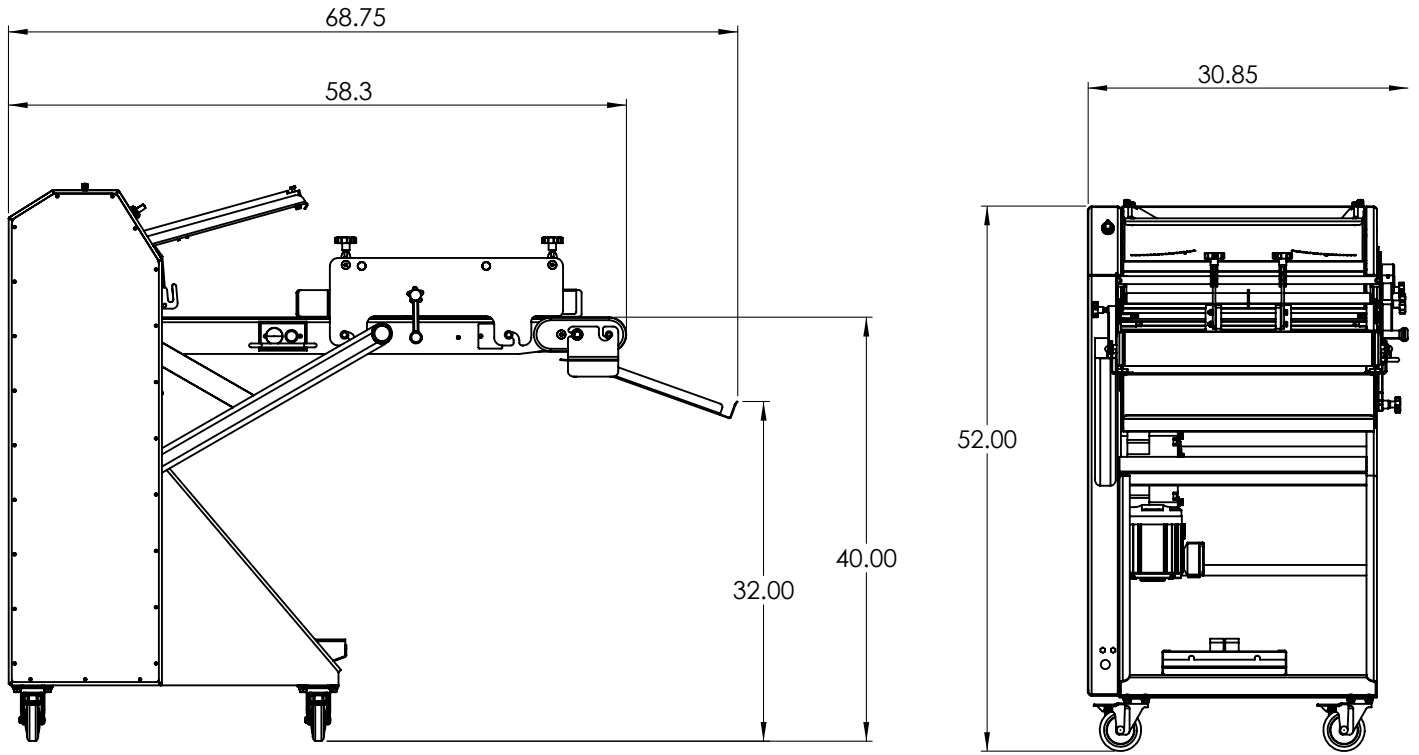
AM435 SHEETER/MOULDER



- Sanitary stainless steel construction
- Easy to clean open frame design
- Removable endless conveyor belt, FDA approved
- Removable top cover for easy access to rollers
- Removable bread moulding attachment
- No tools required for disassembly
- Integrated infeed roller safety
- 120 volt GFCI compliant
- Direct drive motor, 1 HP
- Full motor torque regardless of speed
- Easy-set roller adjustment
- Dual side start/stop station
- Variable speed control



AM435 SHEETER/MOULDER



- Removable moulding plate saddle
- Stick resistant rollers
- Easy access to E stop
- Self-compensating curling chain
- Fully adjustable side guides
- Infeed dough guides for proper dough alignment
- 1oz – 64oz dough pieces
- 1/16" – 3/4" exact roller gap
- 37.75" conveyor bed height
- Optional moulding plate fabric

Machine Weight	Shipping Weight	Freight Class	NMFC Code	Amps	Power
480 lbs	625 lbs	Class 85	114440-02	7.2	120/60/1

Continuous product development is a Dough Tech policy. Specifications are subject to change without prior notice.

Includes 2 Curling Chains (Light and Heavy)

Includes 3 Moulding Plates

Available widths: 6,7,8,9,10,11,12,14,16,18 and 20 inch Moulding Plates (Bolillo Plate Optional)