

# Bench sheeter STM 513





## STM 513 convinces:

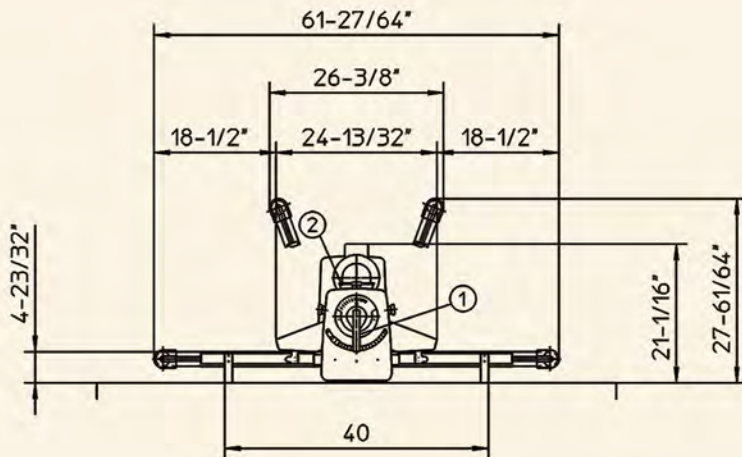
- Designed for small size bakeries and food service kitchens
- Safe and easy to handle
- For starting one of the two green buttons is pushed
- For stopping either lift the safety guard or push the red button
- Pistol grip allows adjusting the rollers in a quick and easy way
- Scale assists in precise settings
- Final thickness to ensure identical thickness for every product
- Scrapers can be easily removed
- Machine can sit on an 8 ft. work bench
- When not in use, conveyors can be raised

## Technical Data

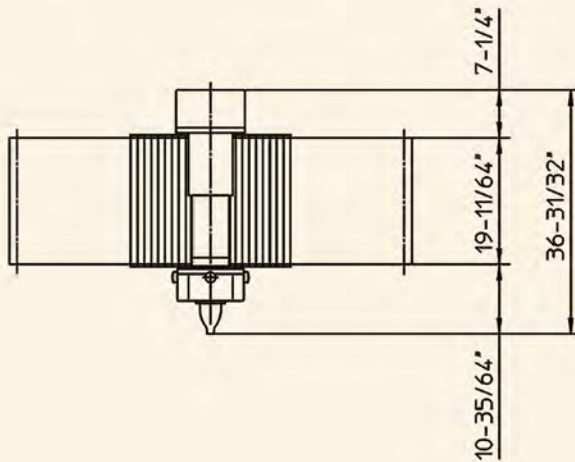
### Bench Sheeter STM 513

Model	bench	Net weight	176 lbs.
Width of conveyor belts	18 3/4"	Shipping weight	220 lbs.
Table width	19 1/4"	Crate dimensions	45" x 31" x 35"
Table length overall	61"	Electrical	220 VAC, 3-phase, 60 Hz, 0.75 HP, 2.3 Amps Supplied with 8 ft. cord and NEMA plug #L1520P
Roller length	19"	Approvals	 
Roller gap	1/64" - 1 3/16"	Subject to technical changes without notice. The type specific and the safety instructions of the operation manuals as well as the prohibition, mandatory action and warning signs are to be observed.	
Sped of discharge conveyor	20"/sec		
Required floor space in			
<ul style="list-style-type: none"> <li>• working position, catch pans extended</li> </ul>	62" x 37"		
<ul style="list-style-type: none"> <li>• resting position, tables folded up</li> </ul>	27" x 37"		

# Bench sheeter STM 513



1. Roller gap adjustment
2. Flour tank



Design and dimensions  
subject to change without notice.

compact  
versatile  
user friendly  
reliable

**RONDO Inc. - USA**  
100 State Street  
Moonachie, N.J. 07074  
Tel. (201) 229-9700  
Fax (201) 229-9878  
info.us@rondo-online.com

**RONDO Inc. - Canada**  
267 Canarctic Drive  
Downsview, Ont. M3J 2N7  
Tel. (416) 650-0220  
Fax (416) 650-9540  
info.ca@rondo-online.com

[www.rondo-online.com](http://www.rondo-online.com)