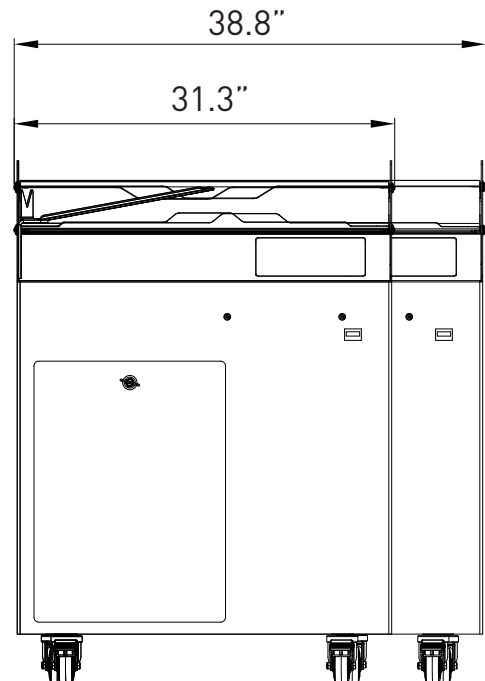
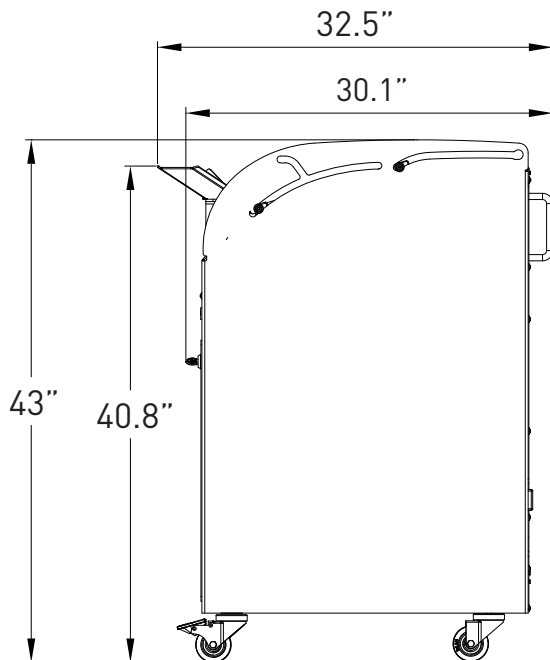




# Self-service circular blade slicer

## VARIA *SELF*

- ✓ Choice of 3 pre set slice thicknesses
- ✓ Maximum safety
- ✓ Eye catching desing
- ✓ Stainless steel Frame
- ✓ Smallest footprint
- ✓ 5 years parts / 1 year labor warranty



Traditionally Innovative

[www.jac-machines.com](http://www.jac-machines.com)

[office@jac-machines.com](mailto:office@jac-machines.com)



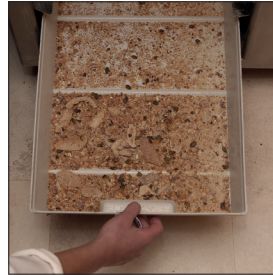
**Automatic claw**  
 Stabilizes the loaf during slicing  
 - Ergonomic  
 - ease of use  
 - Efficient



**Teflon-coated circular blade**  
 Non-stick for the clean cutting of all types of bread.



**Control panel**  
 Allows the user to select a thickness between 3/16th and 1"\*



**Removable crumb collector**  
 Made of light-weight material  
 4.75 gallons capacity.



**Safety cover**  
 Locked during the cutting cycle,  
 prevents access to the blade.



**Bag holder**  
 Facilitates bread bagging

## FEATURES

### VARIA PRO 800

Max. loaf dimensions in in (L x W x H)	14.17" x7.87" x 4.9"
Slice thickness options	From 3/16th to 1"*
Type of motor	3ph/208V/60Hz/4.1A
Motor power in kW	1.1
Net weight (in kg)	485
Cleaning position	•
Blade type and dimensions	16.5" diameter. Teflon-coated
Standard colour white and grey (not compatible with stainless steel exterior)	•

## OPTIONS

Stainless steel exterior	•
Bag holder	•

\* Thickness to be determined according to the type of bread.