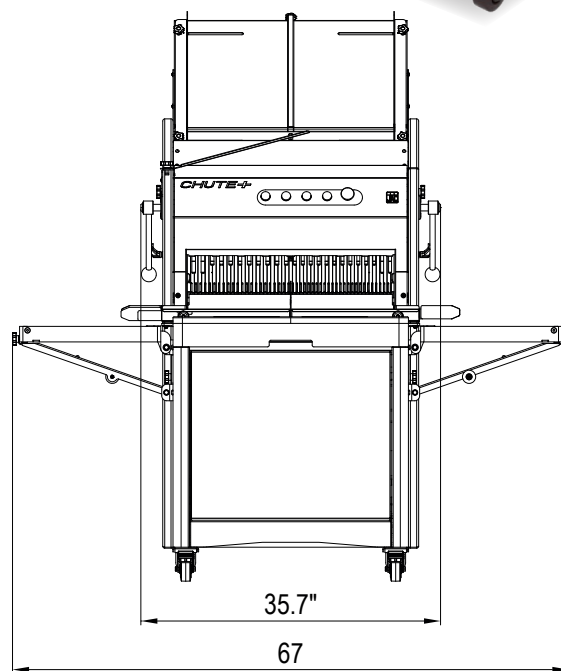
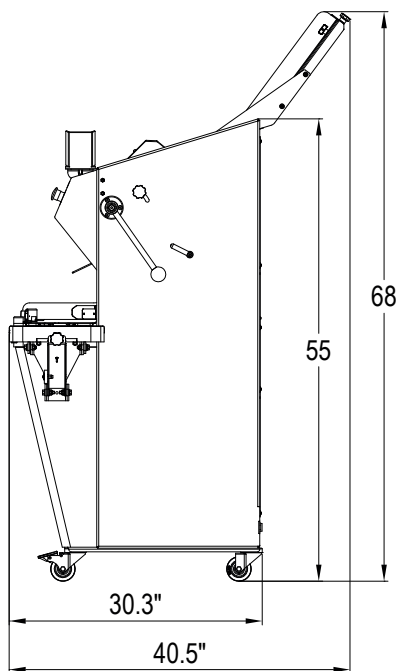
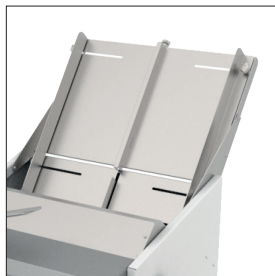




CHUTE+

- ✓ Dual infeed Gravity Feed slicer
- ✓ One slicer two slice thicknesses
- ✓ Minimum space requirement
- ✓ Ergonomic
- ✓ Large capacity crumb tray
- ✓ 5 year parts / 1 year labor warranty





Loading ramp
Fitted with side guides, increases loading capacity.



Removable crumb collector
Accessible by tilting the front cylinder-assisted door. 4.75 gallons capacity.



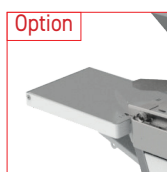
Adjustable bread holder
Adjusts the pressure on the bread to ensure a clean, precise quality of cut.



Bread exit guides



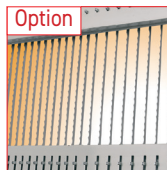
Lever on the side
Allows the final loaf to be cut completely safely.



Option
Fold down bag blowing table
Saves packaging time.



Option
Double fold down bag blowing table
Saves packaging time.



Option
Double slice thickness
Allows two different slicing widths on the same machine

FEATURES

CHUTE+ 600

Max. loaf dimensions in in (L x H)	23.6" x 6.3"
Max. loaf dual slice dimensions in in (L x H)	11.8" x 6.3"
Motor power in kW	0.49
Type of motor	1ph/120V/60Hz/7.3A
Net weight in lbs	507

CHOICES

Slice thickness options | from 3/8" to 5/8"

OPTIONS

Fold down bag blowing table	•
Double fold down bag blowing table	•
Double slice thickness	•
Special slice thickness (more than 5/8 ")	•