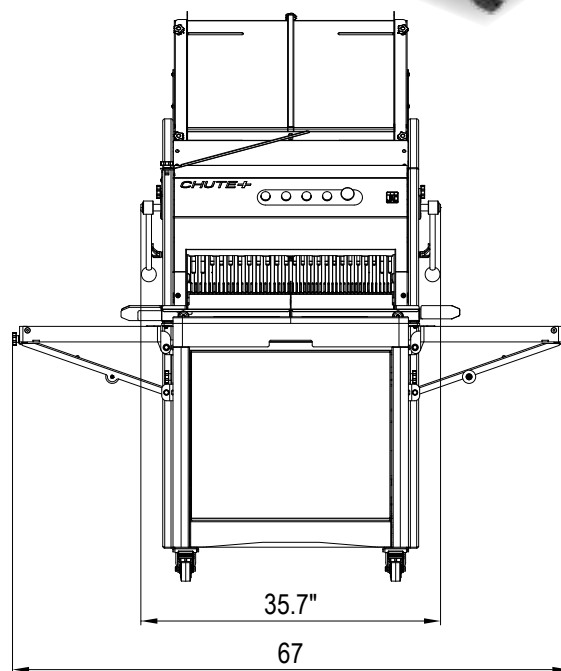
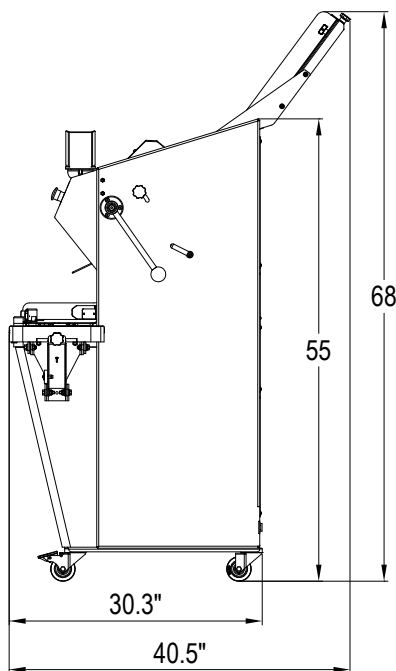




# CHUTE+

## Continuous cut slicer

- ✓ Dual infeed Gravity Feed slicer
- ✓ One slicer two slice thicknesses
- ✓ Minimum space requirement
- ✓ Ergonomic
- ✓ Large capacity crumb tray
- ✓ 5 year parts / 1 year labor warranty





**Loading ramp**  
Fitted with side guides, increases loading capacity.



**Removable crumb collector**  
Accessible by tilting the front cylinder-assisted door.  
4.75 gallons capacity.



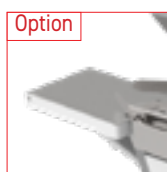
**Adjustable bread holder**  
Adjusts the pressure on the bread to ensure a clean, precise quality of cut.



**Bread exit guides**



**Lever on the side**  
Allows the final loaf to be cut completely safely.



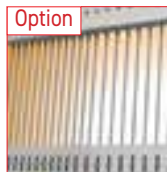
Option

**Fold down bag blowing table**  
Saves packaging time.



Option

**Double fold down bag blowing table**  
Saves packaging time.



Option

**Double slice thickness**  
Allows two different slicing widths on the same machine

## FEATURES

### CHUTE+ 600

Max. loaf dimensions in in (L x H)	23.6" x 6.3"
Max. loaf dual slice dimensions in in (L x H)	11.8" x 6.3"
Motor power in kW	0.49
Type of motor	1ph/120V/60Hz/7.3A
Net weight in lbs	507

## CHOICES

Slice thickness options | from 3/8" to 5/8"

## OPTIONS

Fold down bag blowing table	•
Double fold down bag blowing table	•
Double slice thickness	•
Special slice thickness (more than 5/8 ")	•