

Varimixer

# ERGO 100

**ERGONOMIC HANDLING** Separate removal of bowl and tools. The taller frame allows you to lower the bowl below the tool, so each of them can be removed separately, increasing efficiency.

**STAINLESS STEEL CONTROL PANEL** Choose between variable speed control, fixed speeds or up to 20 programs with your own programs. All operations are controlled from the intuitive control panel with responsive piezo push button technology. The panel is easy to clean and is dustproof and waterproof.

**REMOVABLE** The removable safety guard is made of CE-approved plastic and is easy to remove and dishwasher safe.

**ERGONOMIC WORKING HEIGHT** All work at Varimixer ERGO is done with a straight back. There is unhindered access to changing tools at the correct ergonomic working height.

**ONE MACHINE – MULTIPLE CAPACITIES** The ERGO100 has optional equipment for 60 and 40-litre production. The option of producing reduced quantities makes the large machines more versatile.

**AUTOMATIC BOWL LOWERING** It is not necessary to watch the mixing process. When the time is up, the control system lowers the bowl, so the tools can drip off directly into the bowl.

**LIFT FOR EASY HANDLING** Even the largest bowls can be easily and ergonomically lifted using an electronic bowl lift, which also ensures correct working height during filling and emptying. Choose from several models - or choose a manual bowl trolley for transport only.

**HYGIENIC AND EASY TO CLEAN** All surfaces and accessories are made of stainless steel, and the design ensures the best possible hygiene and very easy cleaning. Varimixer ERGO can be washed in accordance with the IP53 standard, and can be upgraded to either a marine version or IP54 cleaning, with a waterproof stainless steel mixer head.

**NO HEAVY LIFTING** The bowl is wheeled into place between the two arms. The bowl is automatically centered and locked into position, when raised.



**VARIMIXER ERGO 100 OPTIONS – MODELS**



White, powder coated



Stainless steel



Marine version

**OPTIONS – IP54**



Waterproof planetary head, stainless steel, IP54

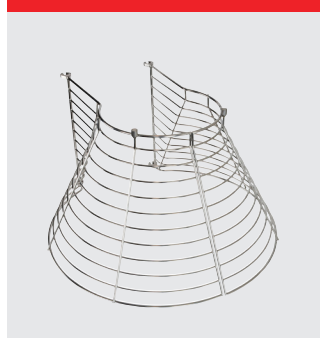


Double chimney, stainless steel, IP54

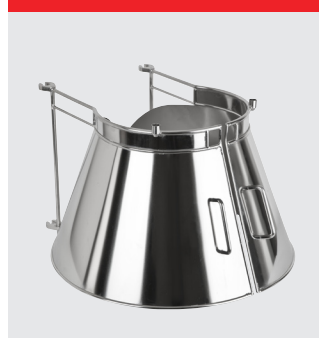
**OPTIONS – SAFETY GUARDS**



Removable safety guard in plastic. CE-certified



Removable safety guard in stainless steel. Not CE-certified



Removable splash guard in stainless steel. CE-certified

**VARIMIXER ERGO 100 STANDARD TOOLS – A-EQUIPMENT 100L**



Whip with double pin, hook with double pin, beater with double pin and bowl 100 liter in stainless steel.

**VARIMIXER ERGO 100 STANDARD TOOLS – B-EQUIPMENT 100/60L AND C-EQUIPMENT 100/40L**



Whip, hook, beater and bowl 100/60 liter in stainless steel and Whip, hook, beater and bowl 100/40 liter in stainless steel.

**OPTION - TOOLS**



Wing whip with double pin, stainless steel



Whip with double pin, with thinner wires, stainless steel



Whip with double pin, with reinforcement



Powder mixer with double pin, stainless steel



Beater with double pin, aluminium



Automatic scraper, stainless steel. Nylon or teflon blade. 100L 100/60L and 100/40L.



Tool rack, 127 cm

**EQUIPMENT - TRANSPORTION**



Bowl truck



Easylift 140



Maxilift Inox



Wheels for bowl



Bowl with bottom draining pipe, stainless steel



Ring gas burner. Natural or liquid gas.

## VARIMIXER ERGO 100 STANDARD

White powder coated  
1 bowl 100 liter in stainless steel  
1 beater in aluminium with double pin  
1 hook in stainless steel with double pin  
1 whip with stainless steel wires with double pin  
Removable safety guard in plastic – CE-certified  
Separate removal of bowl and tool  
Digital timer and emergency stop  
Voltage: 3 ph, 400V, 50 Hz with ground. 4.000 W

## VARIMIXER ERGO 100 STANDARD TECHNICAL DATA

Volume	100 l
Effect	4.000 W
Standard voltage*	400 V
Net weight	428 kg
H x W x L	2029x762x1206 mm
Variable speed	47 – 257 RPM
Phases	3 ph
IP code	IP53
IP code upgrade package	IP54

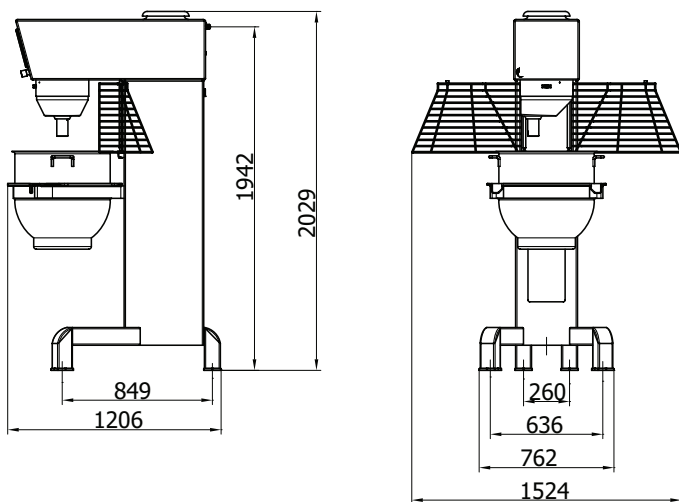
\*Other voltage power supply are available upon request in the range of 100 to 480 V.  
All standard and marine mixers are available in 50 and 60 Hz.

## VARIMIXER ERGO 100 MARINE VERSION

Stainless steel execution, water cover at air ventilation, slotted free screws, full welded stainless steel knees, gasket at the rear plate, gasket at front panel and top cover. Complies with USPHS.

Voltage: 3 ph, 440V, 50 Hz with ground. 4.000 W  
3 ph, 480V, 50 Hz with ground. 4.000 W

## DIMENSIONS



## CERTIFICATIONS



# Varimixer

A/S Wodschow & Co  
Kirkebjerg Søpark 6  
DK-2605 Brøndby  
P: +45 4344 2288  
E: info@varimixer.com  
www.varimixer.com