



**John
BOOS**
Since 1887

ITEM #: _____ QTY: _____
 MODEL #: _____
 PROJECT NAME: _____

121917

3601 S. Banker St. Effingham, IL 62401 • P.O. BOX 609 • Ph: (888) 431-2667 • Fax: (800) 433-2667

"DSS" MAPLE TOP WORK TABLES



**1-3/4" THICK HARD ROCK MAPLE TOP WITH 4" RISER ON BACK AND SIDES.
 STAINLESS STEEL BASE & ADJUSTABLE UNDERSHELF**

FEATURES:

- 1-3/4" THICK HARD MAPLE TOP, STYLE "SB" WITH 4" COVED RISER ON BACK AND SIDES
- MAPLE TOP IS FINISHED WITH PENETRATING OIL WITH OPTIONAL NATURAL CLEAR VARNIQUE FINISH (VARNIQUE FINISH VOIDS NSF.)
- STAINLESS STEEL BASE AND ADJUSTABLE UNDERSHELF
- ADJUSTABLE BULLET FEET
- SHIPPED KNOCKED-DOWN, EASY-TO-ASSEMBLE
- NSF CERTIFIED



MATERIAL:

- TOP: NORTHERN HARD ROCK MAPLE
- LEGS: 16 GAUGE STAINLESS STEEL
- UNDERSHELF: 18 GAUGE STAINLESS STEEL (6' TABLES COME WITH 16 GAUGE GALVANIZED STEEL.)
- GUSSETS: STAINLESS STEEL
- FEET: 1" ADJUSTABLE STAINLESS STEEL

OPTIONAL ACCESSORIES

DESCRIPTION	MODEL	QTY
DRAWER		
DRAWER LOCK		
CASTERS		
OVERSHELVES		
POT RACK		

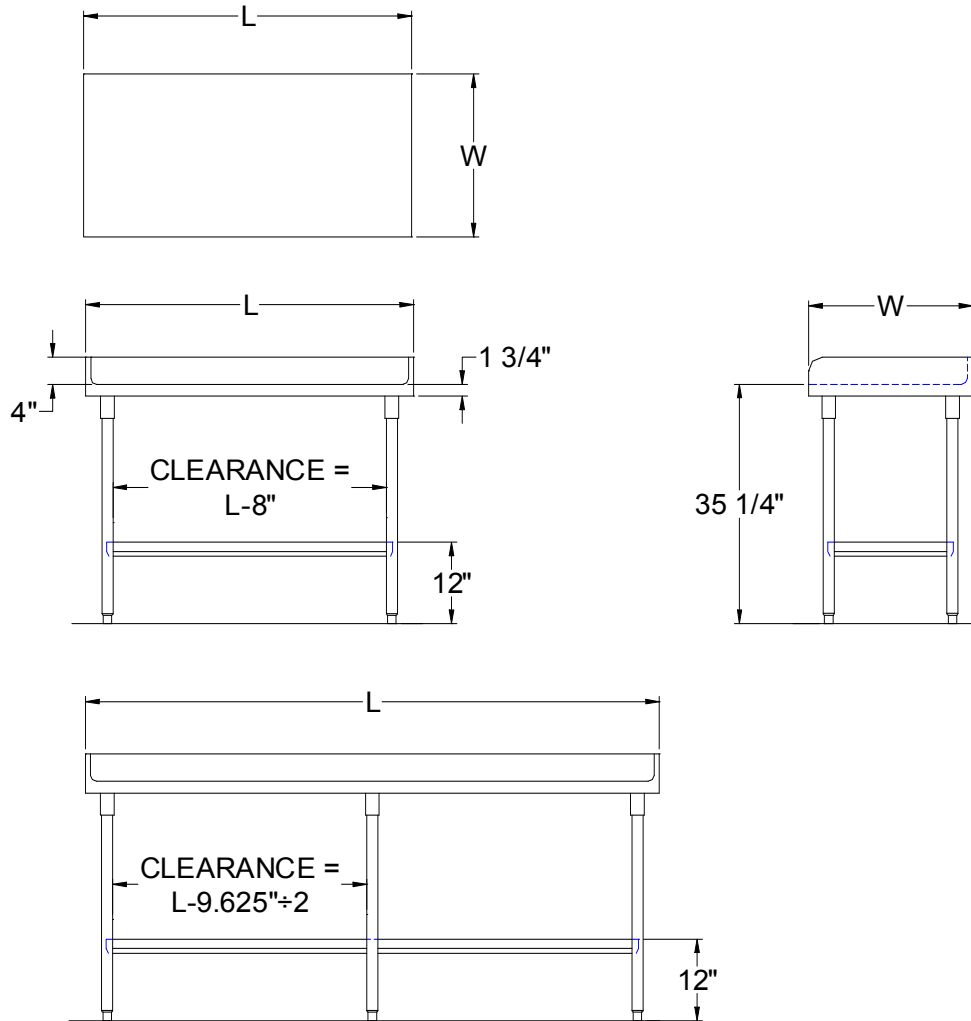


COVED RISER (FRONT VIEW)

MAPLE TOP WORK TABLES

24" WIDE	QTY	30" WIDE	QTY	36" WIDE	QTY
DSS01		DSS06		DSS11	
DSS02		DSS07		DSS12	
DSS03		DSS08		DSS13	
DSS03A		DSS08A		DSS13A	
DSS04		DSS09		DSS14	
DSS04A		DSS09A		DSS14A	
DSS05		DSS10		DSS15	

DETAILED SPECIFICATIONS



- UNITS 7 FT. AND LARGER ARE FURNISHED WITH SIX LEGS.
- FINISHED SIZE OF UNDERSHELF.
 SHELF LENGTH = LENGTH MINUS 4.875"
 SHELF WIDTH = WIDTH MINUS 4.25"

MAPLE TOP WORK TABLES

LENGTH	24" WIDE	WT. (LBS)	30" WIDE	WT. (LBS)	36" WIDE	WT. (LBS)
48"	DSS01	121	DSS06	151	DSS11	164
60"	DSS02	144	DSS07	172	DSS12	194
72"	DSS03	170	DSS08	200	DSS13	226
84"	DSS03A	197	DSS08A	236	DSS13A	266
96"	DSS04	224	DSS09	264	DSS14	298
108"	DSS04A	242	DSS09A	288	DSS14A	326
120"	DSS05	264	DSS10	316	DSS15	358

SOME UNITS SHIP UNASSEMBLED FOR REDUCED SHIPPING COST. ALL DIMENSIONS ARE TYPICAL. TOLERANCE +/- .500"
 John Boos & Co. is constantly engaged in a program of improving products and therefore reserves the right to change specifications without prior notice.

