

# Manual Tray Lidder

## Key Features:

- Medium capacity heat-seal tray lidder designed for use with heat-seal coated, printed or unprinted, Mylar<sup>®</sup> film lids.
- For use with flat-flanged paperboard or plastic.
- Complete heat-seal control of time, temperature, and pressure.
- Auto-seal with manual-eject.
- Stainless steel and anodized aluminum construction.
- Integrated dual lidding dispenser.
- Countertop size for limited space applications.
- Optional, stainless steel work stand with NSF casters.
- Interchangeable tray carriers for trays up to 9" x 10.75" x 3.5" deep.
- Additional tray sizes may be compatible; please contact your Account Manager.

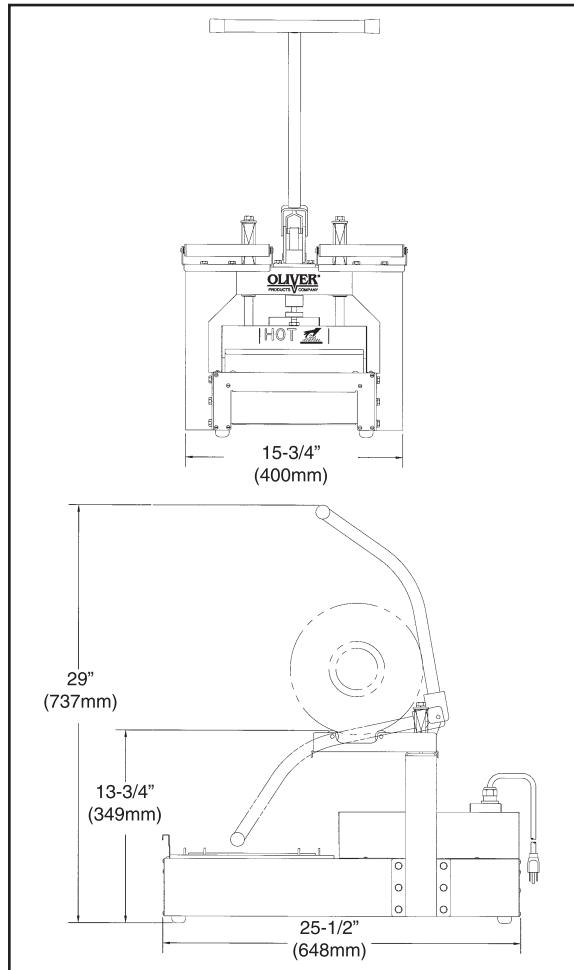


## Benefits

- Improves merchandising, creates your own "brand", sells more product.
- Lowers packaging costs (film lidding vs snap-cover domes.)
- Improves package performance, leak-resistant, microwavable/ovenable.
- Provides a tamper-evident seal.
- Flexible, quick five second tray carrier change-over to various sizes.
- Easy cleaning and high durability for continued use in food preparation environment.

# Manual Tray Lidder

Model 1508M



## SPECIFICATIONS:

### Tray Capacities:

9" x 10.75" maximum top-outside dimension tray;

3.5" maximum tray depth.

Custom tray carrier tooling available to match your trays.

**Temperature Range:** 50° F (10° C) to 300° F (149° C)

### Dimensions:

15.75" (400mm) overall width (front)

25.5" (648mm) overall depth

13.75" (349mm) overall height

29" (737mm) overall height with handle

**Weight:** 57 pounds (25.9 Kg)

**Electrics:** 110 or 220 VAC, 8 AMPS, single phase, 50/60 Hz

**Dual Lidding Dispenser:** For roll lidding, pre-die-cut and connected by tear-away perforation.

Roll capacities: 9.5" maximum outside-diameter roll,

9" maximum width roll

(lidding available from Oliver Products Company).

## OPTIONAL ACCESSORIES:

**Workstation Stand:** 36" stainless steel

workstation stand with casters and side tables.

The information contained herein is correct to the best of our knowledge. The recommendations or suggestions are made without guarantee or representation as to results. Freedom from any patent owned by Oliver Products Company or other is not to be inferred.

Mylar® is a registered trademark of DuPont.

© Trademark of Oliver Products Company

Above specifications subject to change without notice

**Oliver® Products Company**  
445 Sixth St. N.W.  
Grand Rapids, MI 49504-5298  
**616/456-7711**  
**1/800/253-3893**  
**616/456-7791 FAX**  
E-mail: [www.oliverproducts.com](http://www.oliverproducts.com)