

JOB:  
ITEM:  
QTY:

## BUN PAN DOLLIES

### APPLICATION:

These dollies provide transportation and storage of 13"x18" and 18"x26" pans.

### MATERIAL:

Framework is constructed of 2"x2"x.125" wall angle. Models #1193 and #1194 handles and sides are constructed of 1"x1"x.070" wall tubing.

### CASTERS:

These dollies come equipped with four 5" platform type swivel casters.

### GUARANTEE:

These dollies carry a **Lifetime Guarantee** against rust and corrosion and also carry a **Five-Year Guarantee** against workmanship and material defects.

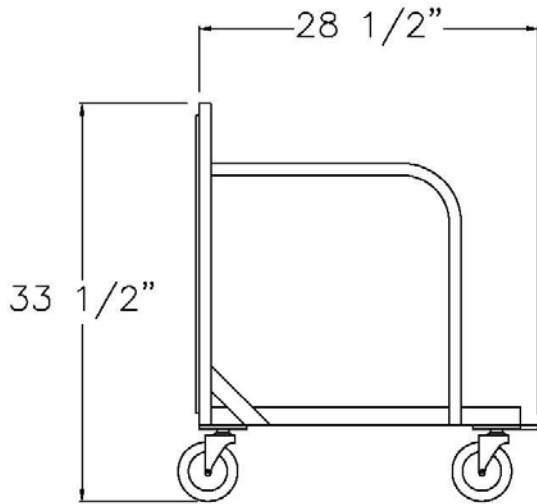


**Model #1193**

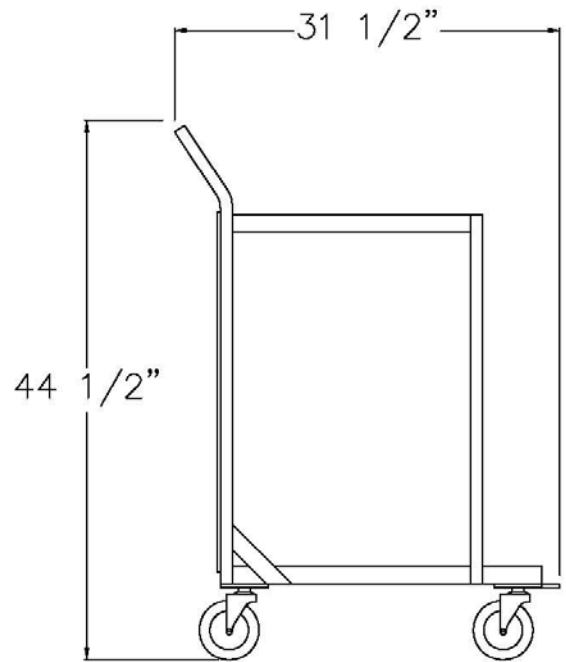


Phone: 800-255-0104  
Fax: 877-877-7687  
[www.newageindustrial.com](http://www.newageindustrial.com)  
[sales@newageindustrial.com](mailto:sales@newageindustrial.com)

New Age Industrial reserves the right to modify or make changes at any time without notice to materials and specifications.



**Model #1193**



**Model #1194**

Model No.	Size-W	Size-H	Size-D	Wt. Cap.
<b>Angle Dolly Without Sides or Handle</b>				
1192	18 7/8"	7"	27"	800#
<b>Angle Dolly With Sides &amp; Handle</b>				
1193	21"	33 1/2"	27"	1000#
<b>Two Tier Angle Dolly With Sides &amp; Handle</b>				
1194	21"	44 1/2"	30"	1200#
<b>Aluminum Drag Hook</b>				
1199			34 1/2" Long	



Phone: 800-255-0104  
 Fax: 877-877-7687  
[www.newageindustrial.com](http://www.newageindustrial.com)  
[sales@newageindustrial.com](mailto:sales@newageindustrial.com)

New Age Industrial reserves the right to modify or make changes at any time without notice to materials and specifications.