



"TC-1" Stainless Steel Cutting Tables

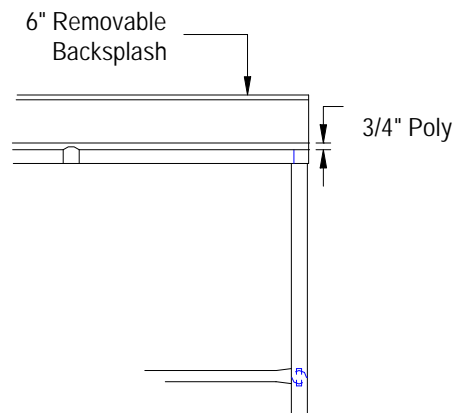
w/ 3/4" High Density Polyethylene
w/ 6" Removable Backsplash
w/ Stainless Steel Base and Bracing



3/4" POLY TOP w/ STAINLESS STEEL BASE and BRACING					
24"WIDE	Qty	30"WIDE	Qty	36"WIDE	Qty
TC001		TC008		TC015	
TC002		TC009		TC016	
TC003		TC010		TC017	
TC004		TC011		TC018	
TC005		TC012		TC019	
TC006		TC013		TC020	
TC007		TC014		TC021	

FEATURES:

- * 3/4" thick **High Density Polyethylene Top**, sectioned per NSF regulation also available with 1/2" Or 1" thick High Density Polyethylene and 1 1/2" thick Hard Rock Maple Top, top style "SCT" flat top
- * One piece High Density Polyethylene Top available at no extra charge must specify
- * Top is held in place by welded clips, removable for ease in cleaning
- * **Stainless Steel Base, Bracing and 6" Removable Backsplash** Type 300 stainless steel with # 3 polish, satin finish
- * Adjustable bullet feet
- * Shipped Standard **Welded Set-Up**, available knocked-down must specify
- * Optional drawers, casters, pot racks, etc. available
- * All models are approved by the National Sanitation Foundation and the U.S. Department of Agriculture.



CONSTRUCTION:

- * Stainless Steel Bases are TIG welded
Exposed welds are polished to match adjacent surface

MATERIAL:

- Top: High Density Polyethylene
- Frame: 1 1/2" Square O.D. 18 gauge type 300 tubular stainless steel # 3 polish, satin finish
- Bracing: 1 1/4" Round O.D. 18 gauge type 300 tubular stainless steel # 3 polish, satin finish
- Legs: 1 5/8" Round O.D., 16 gauge type 300 tubular stainless steel # 3 polish, satin finish
- Backsplash: 16 gauge type 300 stainless steel, # 3 polish, satin finish
- Feet: 1" adjustable galvanized bullet feet

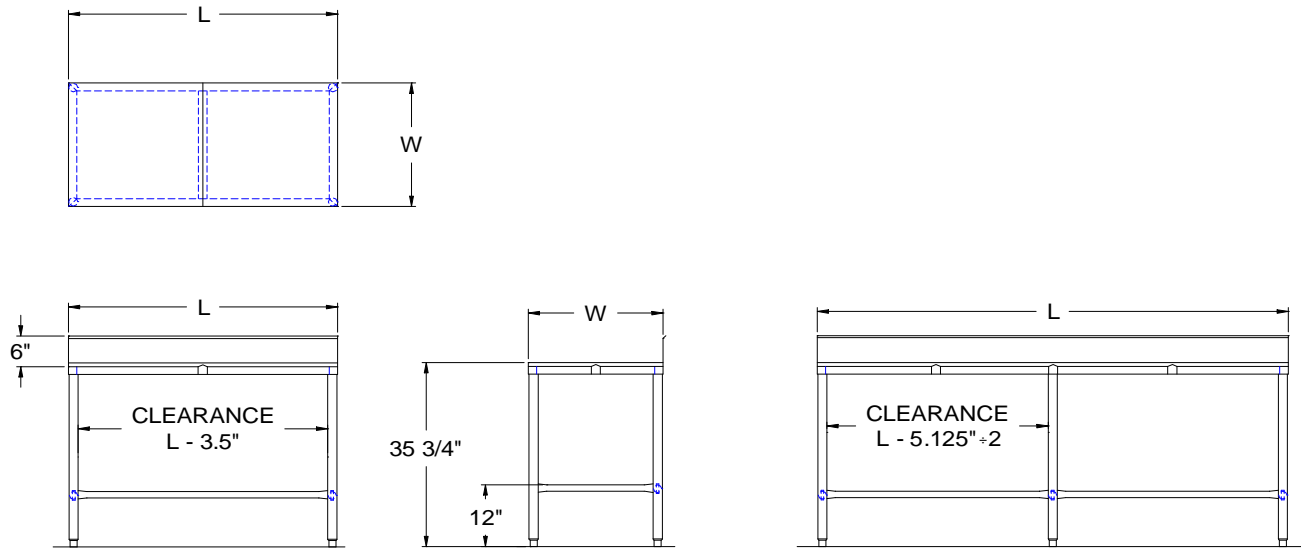
OPTIONAL ACCESSORIES

	MODEL #	Qty
DRAWER		
DRAWER LOCK		
CASTERS		
STAINLESS STEEL FEET		
LOWER SHELVES		
MEAT BOAT RACK		
PAPER HOLDER		
K.D. easy - to - assemble		

John Boos & Co

315 South First Street - Effingham, IL 62401
Phone: 217-347-7701 - Fax: 217-347-7705
Email: sales@johnboos.com - Web-site: www. johnboos.com

DETAILED SPECIFICATIONS



Shipped Standard Welded Set-Up

Units 7 ft. and larger are furnished with six legs.

All dimensions are typical.

Tolerance +/- .500".

3/4" HIGH DENSITY POLYETHYLENE TOP & BRACING

L	24" WIDE	WT.	30" WIDE	WT.	36" WIDE	WT.
36	TC001	54	TC008	61	TC015	68
48	TC002	66	TC009	77	TC016	86
60	TC003	77	TC010	94	TC017	101
72	TC004	92	TC011	109	TC018	122
84	TC005	107	TC012	132	TC019	149
96	TC006	119	TC013	141	TC020	164
120	TC007	148	TC014	168	TC021	189

John Boos & Co

315 South First - Effingham, IL 62401 Phone: 217-347-7701 - Fax: 217-347-7705

Email: sales@johnboos.com - Web-site: www.johnboos.com



May 2002

John Boos is constantly engaged in a program of improving products and therefore reserves the right to change specification without prior notice